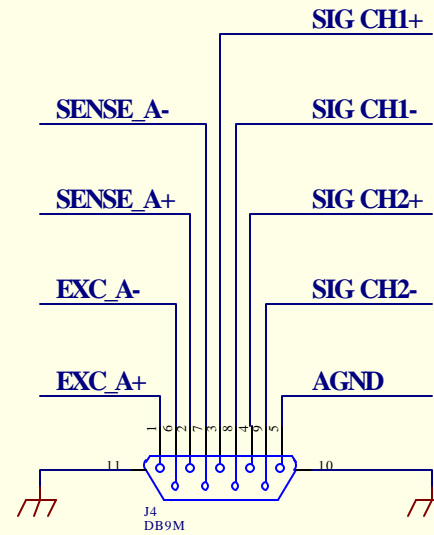
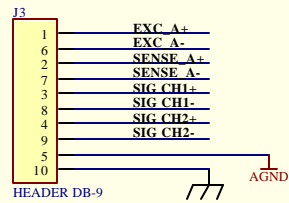


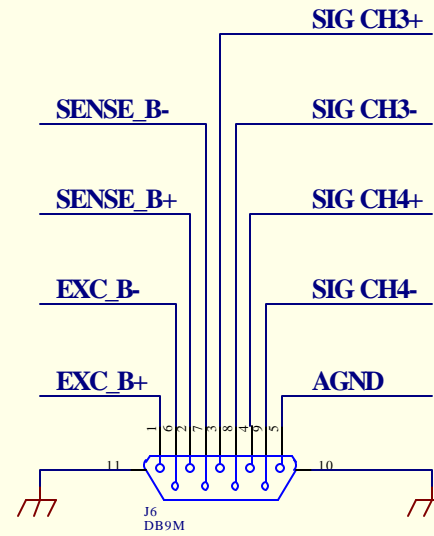
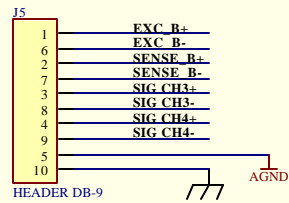
CHA PORT 1&2



Industrial Network Controls, LLC

Title			Load Cell Wiring
Size	Number	Revision	
A4	Load_Cell	1	
Date:	18-Nov-2008	Sheet of	5 of 9
File:	G:\Projects\INC\Load_Cell\Docs\Load_Cell_Pins.ddb	CAS	

CHB PORT 3&4



Industrial Network Controls, LLC

Title		Load Cell Wiring	
Size	Number	Revision	
A4	Load_Cell	1	
Date:	18-Nov-2008	Sheet of	5 of 9
File:	G:\Projects\INC\Load_Cell\Docs\Load_Cell_Pins.ddb	CAS	